

ProLight

Solar Lighting Tower

The award-winning Prolectric ProLight is the only mobile solar lighting tower in the UK that operates reliably all-year round, even in challenging winter conditions.

The ProLight is the high performance, low operating-cost alternative to diesel generator tower lights, that's easy to set up - and forget. The ProLight never needs to be refuelled, so you save fuel and labour costs, while it continues to provide powerful light with no carbon emissions, danger of spills or noise.

The trailer-mounted battery powers the lights, so that even on winter days with 16 hours of darkness, the unit operates consistently and reliably.

The Prolectric Automatic Mast Safety System (PAMS) is a fail-safe system that stops a light from being moved with the mast raised, avoiding danger to personnel including inadvertent striking of overhead powerlines. The mast cannot be raised when the handbrake is on and is automatically lowered when the handbrake is released, e.g., before driving away.

Prolectric offers a full lighting design service to ensure you have the optimum temporary lighting configuration for your site.

Game-changing remote control & monitoring

Manage your ProLight from anywhere, anytime using our portals' powerful remote-control functionality. Every ProLight is fitted with a microcontroller and tracking facility, so it can be switched on and off remotely and key data is monitored and recorded.

[Find out more](#)

- 
Advanced Technology
 Remote control, monitoring and reporting capabilities.
- 
No Emissions
 No fumes or greenhouse gas emissions.
- 
No Refuelling
 No fuel costs, spills or refuelling labour costs.
- 
No Noise
 Ideal for urban, residential or night time projects.
- 
Minimal Maintenance
 Install and forget technology.

Our customers include



5629 sqm
light
coverage

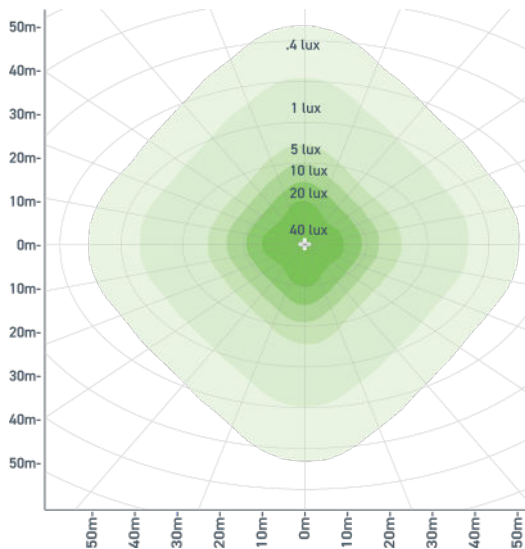
240W
of bright
LED light

360° pan
motor
rotatable
hydraulic
mast

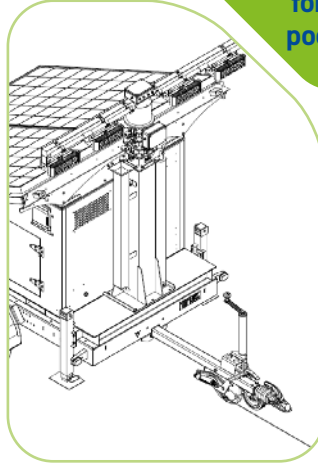


ProLight Solar Lighting Tower

ProLight Light Range

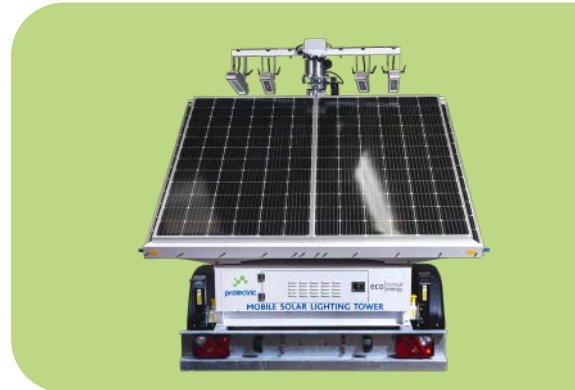


Easily
crane-hoisted
or manoeuvred
on-site using
forklift
pockets



ProLight Area 4x60W Lamps

- 40 lux to 184 sqm
- 20 lux to 410 sqm
- 10 lux to 714 sqm
- 5 lux to 1154 sqm
- 1 lux to 3190 sqm
- .4 lux to 5629 sqm



General Specification

Deployed dimensions	3600 (L) x 3932 (W) x 7200 (H) mm
Stowed dimensions	3600 (L) x 2100 (W) x 2527 (H) mm
Net weight	1400 kg
Wind loading	80 km/h

Solar Panels

PV peak	380W x 4
PV array	Static

Batteries

Battery specification	12 x 12V 100Ah lead carbon batteries
Battery capacity	14.4 kWh
Expected battery recharge cycles	2,000

Floodlights

Type	LED
Lumens	36,000
Power	60W x 4

